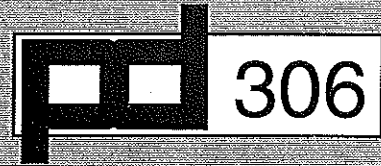


INSTALL

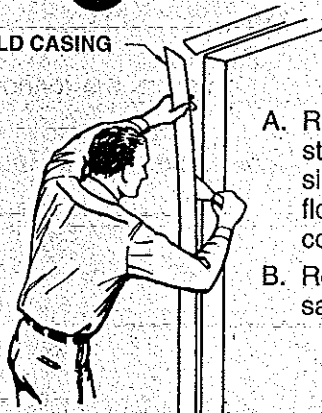
STEEL FRAMES
SINGLE REPLACEMENT
UNIT INSTALLATION



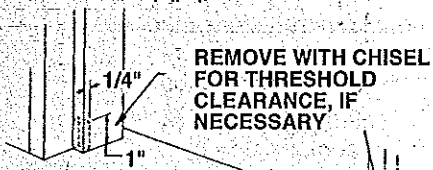
Replacement Unit Installation Instructions

1

OLD CASING



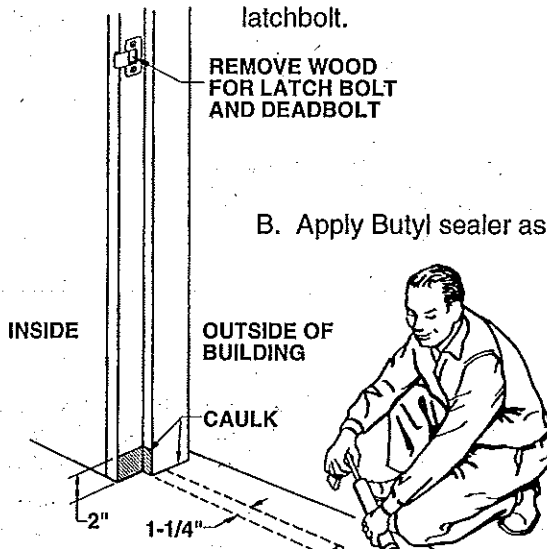
- A. Remove old door, hinges, strike plate, weatherstrip and sill. Clean cement or wood floor of all dirt and caulking compound.
- B. Remove casing carefully and save for reinstallation.



REMOVE WITH CHISEL FOR THRESHOLD CLEARANCE, IF NECESSARY

2

- A. Transfer location of strike plate and deadbolt to existing frame and chisel out clearance for latchbolt.



REMOVE WOOD FOR LATCH BOLT AND DEADBOLT

- B. Apply Butyl sealer as shown.

INSIDE

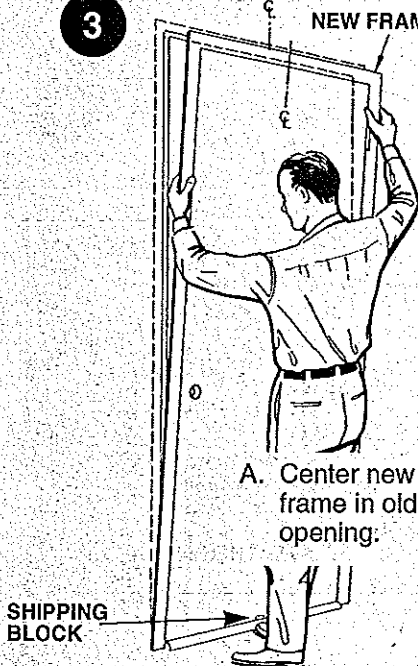
OUTSIDE OF BUILDING

CAULK

APPLY CAULK THOROUGHLY TO PREVENT WATER LEAKAGE

3

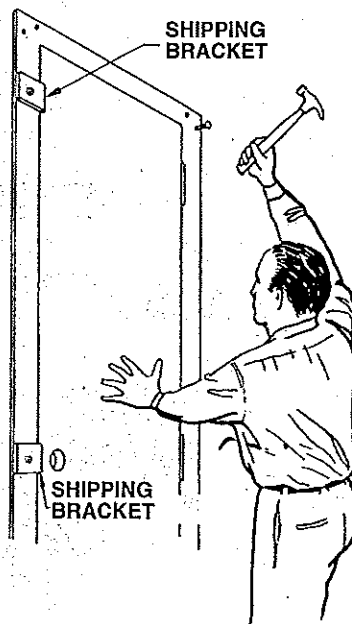
NEW FRAME



- A. Center new frame in old opening.

SHIPPING BLOCK

SHIPPING BRACKET



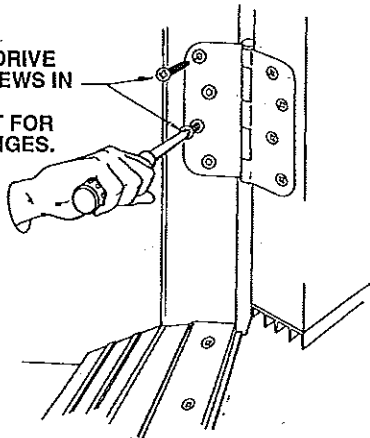
SHIPPING BRACKET

- B. Temporarily nail 6 penny nails in each corner after centering frame in opening and tapping it in snugly.
- C. Remove shipping brackets.
- D. Open door carefully and remove shipping block.

4

A. Install screws as shown.

PILOT DRILL & DRIVE TWO 2-1/2" SCREWS IN COUNTERSUNK HOLES. REPEAT FOR OTHER TWO HINGES.



NOTE: BE CAREFUL IN TIGHTENING LONG SCREWS. TIGHTEN ALTERNATING SCREWS UNTIL DOOR CLEARS LOCK JAM AS DESIRED. DO NOT TWIST OR BOW JAM EXCESSIVELY.

5

A. Install lockset per manufacturer's instructions.

DEADBOLT COVER PLATE (SUPPLIED WITH DEADBOLT)

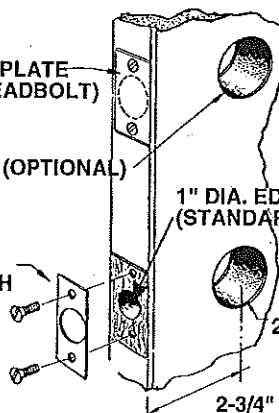
DEADBOLT HOLE (OPTIONAL)

1" DIA. EDGEBORE (STANDARD)

STRIKE PLATE (SUPPLIED WITH LATCHBOLT)

2-1/8" DIA. STANDARD

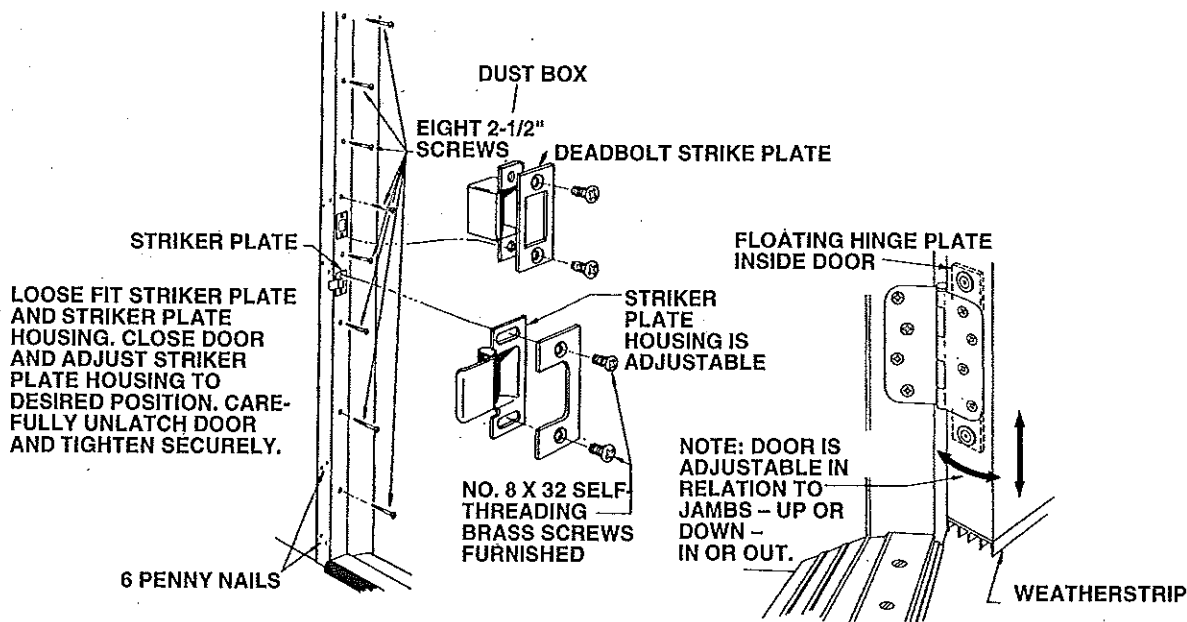
2-3/4" BACKSET STANDARD

**6**

A. Install eight 2-1/2" long screws on strike side of jamb. Tighten until desired clearance is obtained. Drive balance of 6 penny nails in place around frame, watch margin at lock side. Note: Use holes in unit that will pick up solid wood in existing wood jambs.

NOTE: If deadbolt is used, fasten brass strike plate in position with self-tapping screws as shown. For installations not using deadbolts, install filler plate in deadbolt hole.

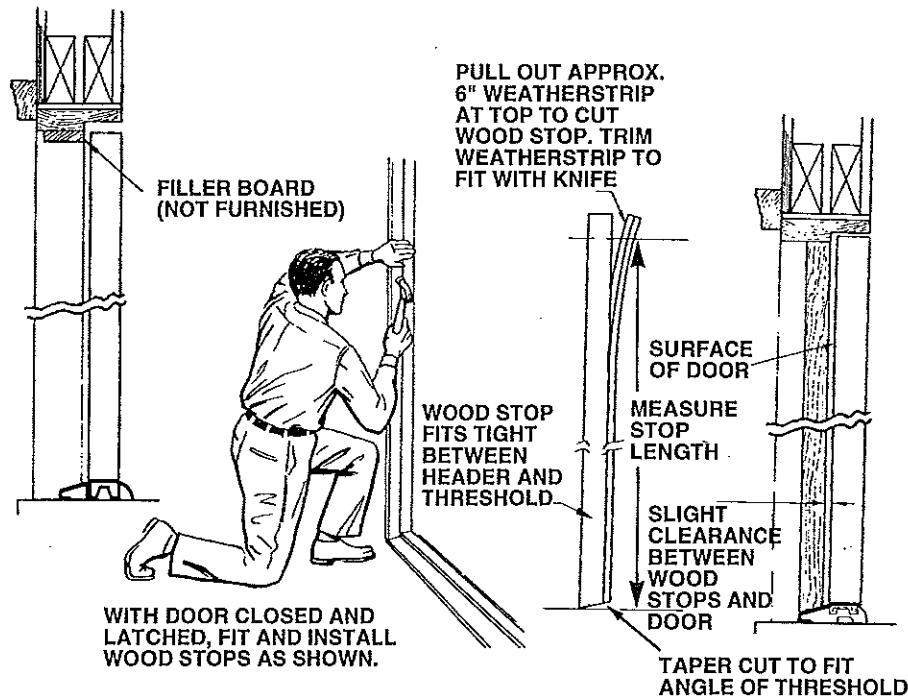
B. If door does not have proper margin at top or does not fit flush with steel frame, adjust as follows. Open door and loosen screws holding hinge to door, shift door up or down and twist in or out as necessary. Retighten screws. Remove Pak-Wik spacers from edge of door after margin is set.



7

THE FOLLOWING INSTRUCTIONS MUST BE FOLLOWED VERY CAREFULLY TO PROVIDE MINIMUM AIR FILTRATION AND NO WATER LEAKAGE.

- A. If opening is high, install filler at header before attempting installation of weatherstrip.
- B. Three wood stops with weatherstrip are required—one each for the head jamb, strike jamb and hinge jamb. Determine length of hinge and strike jamb stops by measuring from underside of header to top of threshold at its lowest point. Pull out 6" of weatherstrip at top (taper cut stop at bottom first) and then cut stops to length. Re-insert weatherstrip in stop and cut to length with sharp knife (Do not stretch weatherstrip.)
- C. Fill caulk groove in wood stops.
- D. With door closed, install hinge stop to jamb with finish nails (not furnished). Install lock side stop. Make sure not to set too tight against door or door will be hard to close. Cut header and weatherstrip to length as above and install. **MAKE SURE HEADER WEATHERSTRIP FITS SIDE WEATHERSTRIP WITHOUT GAPS.**
- E. Caulk between wood stops and old jambs and between wood stops and threshold.
- F. Caulk threshold. *See illustration in step #8.*



8

- A. Below illustrates the different locations for caulking to ensure minimum air infiltration and no water leakage.
- B. Adjust riser on threshold to meet door bottom weatherstrip.
- C. Install foam pad.
- D. Replace inside door casing as necessary. Use existing holes, if possible. It may be necessary to drill 3/32" dia. holes through steel frame in order to nail casing in place.

